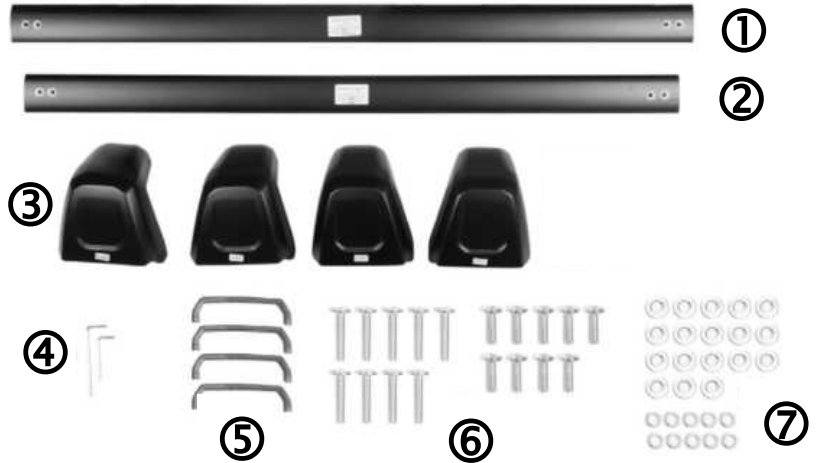


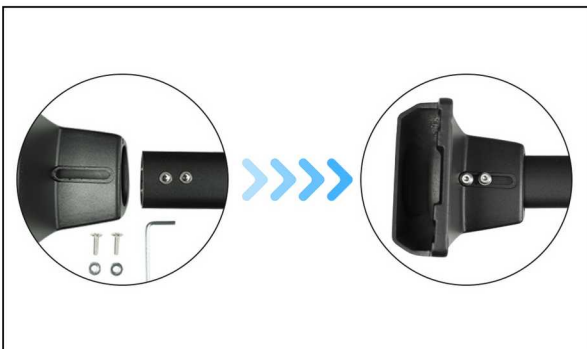


WL/L GRAND CHEROKEE ROOF RACK CROSS BARS INSTALLATION INSTRUCTIONS

#	DESCRIPTION	QTY
①	Front Crossbar	1
②	Rear Crossbar	1
③	Mounts	4
④	Tools	2
⑤	Rubber Pad	4
⑥	Screw (9 long + 9 short)	18
⑦	Washer (18 large + 10 small)	28



**NOTE: Inspect all components before installation.
If any parts are missing or damaged, contact customer support before installing the product.**



1. Remove the pre-installed bolts from each crossbar.

Attach the left and right mounting feet to the crossbar.

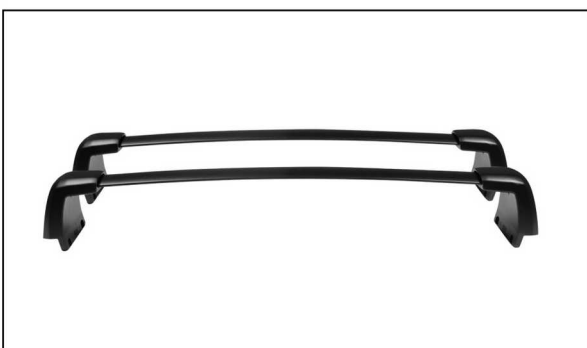
Leave all bolts loose at this stage to allow for adjustment during installation.



2. Adjust the crossbar width to match the spacing of the vehicle's roof rails.

IMPORTANT: Match the markings on each mounting foot and crossbar before assembly (example: LH, RH, FRONT, REAR).

Ensure all components are installed in the correct positions before tightening hardware.



3. Repeat the same procedure for all four mounting feet.

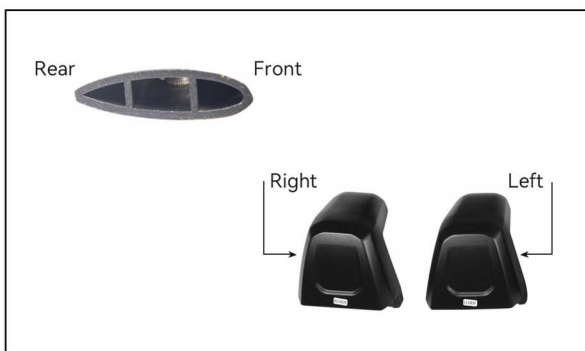
Once the crossbar is correctly positioned and centered, evenly tighten all mounting bolts using the supplied Allen wrench.



WL/L GRAND CHEROKEE ROOF RACK CROSS BARS INSTALLATION INSTRUCTIONS

IMPORTANT SAFETY & INSTALLATION NOTES

1. **MAX PAYLOAD is: 75KG or 165LBS. Do not overload.**
2. **Place a clean towel or protective mat over the vehicle roof during installation to help prevent scratches or paint damage.**
3. **Periodically inspect and re-tighten all mounting hardware, especially after the first 25–50 miles of driving or after carrying heavy loads.**



4. a) Install the crossbars with the rounded aerodynamic edge facing forward and the tapered edge facing rearward.

Align any directional arrows so they point toward the front of the vehicle.

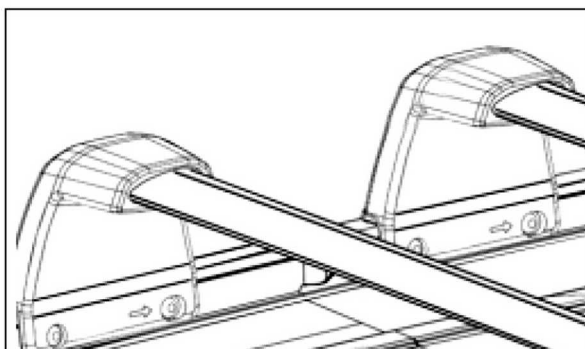
- b) Each mounting foot is labeled "L" (Left) or "R" (Right).

Install the mounting feet on the corresponding side of the vehicle.



5. Install the rubber pads onto each mounting foot before placing the crossbars onto the vehicle.

Ensure the rubber pads are fully seated to help prevent damage to the roof rails.

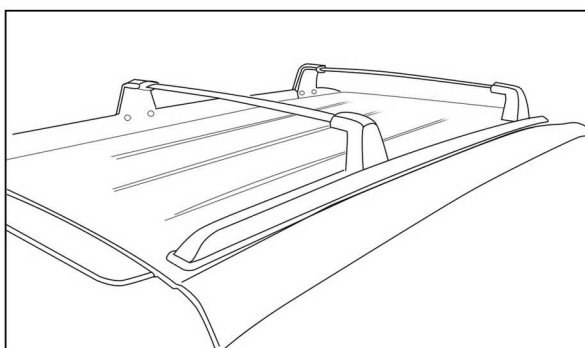


6. Position the front and rear crossbars onto the vehicle's factory roof rails.

Verify that both crossbars are centered and parallel before fully tightening the hardware.

Note: Tighten to 7 Nm

Note: Rear assembly can be used to fit for MID position or REAR position.



7. Installation is complete.

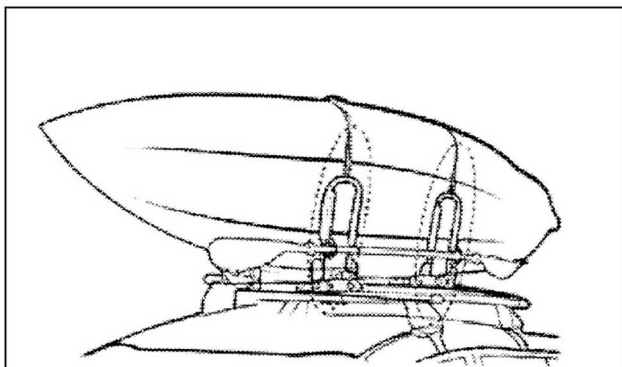
Before driving, confirm that all mounting hardware is securely tightened and the crossbars are firmly attached.

SEE IMPORTANT SAFETY NOTES ON NEXT PAGE

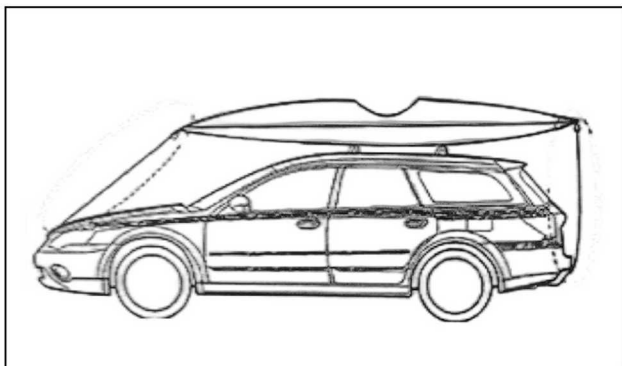


WL/L GRAND CHEROKEE ROOF RACK CROSS BARS INSTALLATION INSTRUCTIONS

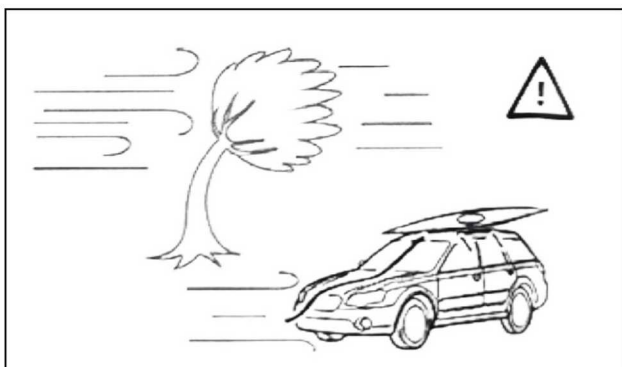
CARGO SAFETY GUIDELINES



1. Always use compliant accessory carriers designed specifically for kayaks, surfboards, skis, snowboards, bicycles, or other oversized cargo.



2. Secure long or oversized cargo using additional front and rear tie-down straps to help prevent shifting during transport.



3. Drive at safe speeds appropriate for the cargo weight, weather conditions, and road conditions.

Use extra caution in high winds or during sudden braking.



4. Stop and inspect all mounting hardware and cargo tie-downs after the first few miles of driving and periodically during long trips.



WL/L GRAND CHEROKEE ROOF RACK CROSS BARS INSTALLATION INSTRUCTIONS

CUSTOMER SUPPORT

Contact

support@justforjeeps.com

JustForJeeps.com

56 Boston Providence Turnpike

Norwood, MA 02062

United States of America